

Leaf



Leaf, designed by Sergio Bellin, is a collection designed around the original linearity of the leaf and its nerves. The back upholstery is made with an elastic membrane that can be teamed with different types of fabric or fitted with breathable mesh. The innovative system for the application of the seat back guarantees maximum adaptability to the user's posture. The seat made of extra-thick foam guarantees superior comfort; it allows depth-adjustment to the desired position or free floating for customised ergonomics.

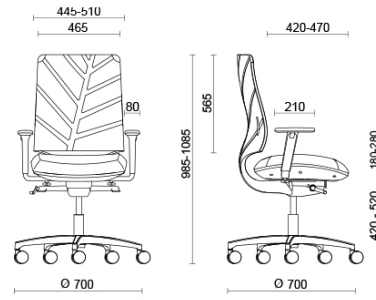
Projects

McDonald's, Mosca, Russia (2012)

Stockholm Furniture Fair, Stoccolma, Sweden (2012)

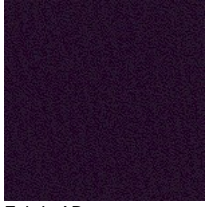
MTA Research Lab, Codogno, Italy (2013)

Operative - Leaf pattern



Materials and colours

Seat Upholstery



Fabric AB
Available colours 13



Fabric AL | Alba
Available colours 9



Fabric BA | Basel
Available colours 10



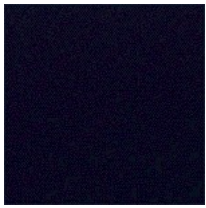
Fabric BN
Available colours 10



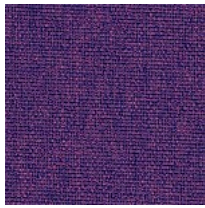
Fabric CL | Clara 2
Available colours 10



Fabric CN | Canvas 2
Available colours 10



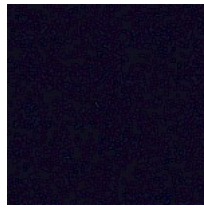
Fabric IP
Available colours 13



Fabric ME
Available colours 13



Fabric ST | Step
Available colours 12



Fabric SY | Sinergy
Available colours 11

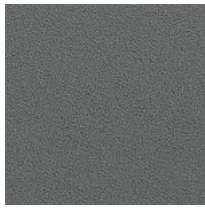


Faux leather CI
Available colours 13

Technical Back



Fabric AB
Available colours 3



Fabric BN
Available colours 2



Fabric IP
Available colours 4

Questo prodotto è garantito 5 anni. Sitland Spa si riserva di apportare modifiche e/o migliorie di carattere tecnico ed estetico ai propri modelli e prodotti in qualsiasi momento e senza preavviso. Le foto e i colori visualizzati sono puramente indicativi e possono variare rispetto alla realtà. Per maggiori informazioni si prega di contattare il nostro Servizio Clienti service@sitland.com