

PRODUCTS

Framery One

The connected one



Framery One, our first digital soundproof pod. Framery One is not only stylish and super smart, it incorporates the latest technology, leading sound insulation standards and echo-free acoustics. You can look forward to a highly adaptable workspace where you won't be disturbed by outside noise or distractions and can enjoy best-in-class design while you focus on your next project.

RADIUS
OFFICE

info@radiusoffice.com
www.radiusoffice.com



Stepping into the pod, Framery One's occupancy light will display a red light with **360° visibility** to let the office know the pod is in use. Using the **pod's touchscreen**, the user is able to adjust the airflow and brightness of the lights according to his/her own preferences. With Framery One's integrated 4G module, the user will always stay connected. **Calendar integration** allows reservations for the pod from the user's laptop. **Seamless connection** between the pod, user and Framery. Whether it's about new features, calendar issues, updates or maintenance requests – everything can be handled remotely or digitally.

Framery One features and options

- Framery Connect
- Occupancy indicator
- Wireless charger
- Activated carbon filter
- LAN port
- Movability kit
- Seismic anchors



The adjustable work surface provides ample space for laptops, personal devices and other work tools. The electric height adjustable table can be positioned vertically between 70 - 120 cm to allow for different working positions and provide comfort for all users.



Adjust airflow & brightness of the light according to your own preference from the touchscreen. See both the availability of the pod and/or book a reservation (by using the optional calendar integration) from your own laptop or phone or just walk in and the pod reserves itself automatically for you. Integrated 4G technology module enables three way communication between you, the pod and Framery. Whether it's about calendar reservation, pod maintenance, updates or notifications, all matters related to the Framery One pod are handled remotely (digitally).

Framery One







COLORS





Exterior

- | | | | |
|---|--|--|--|
|  White (Standard)
RAL 9016 |  Gray (Standard)
S7500-N |  Powder Blue
3421-R86B |  Blush
2728-R01B |
|  Black (Standard)
RAL 9005 |  Navy
S 7020 - R90B |  Sand
S 2010 - Y20R |  Winter Moss
S 7010-G10Y |

Interior panels


- | | |
|---|---|
|  Pure Gray (Standard)
Tonal #60123 Gabriel |  Sand
Tonal #61180 Gabriel |
|  Navy
Atlantic #66057 Gabriel |  Rouge
Tonal #64210 Gabriel |

Carpet

- | | |
|--|--|
|  Light Gray (Standard)
Ex-dono Quartet #393330 Fletco
Carpets |  Champagne
Zenith #T371210
Fletco Carpets |
|  Dark Blue
Zenith #T371880
Fletco Carpets |  Grape
Zenith #371680
Fletco Carpets |

Table

- | | |
|---|--|
|  White (Standard)
White laminate |  Black
Black laminate with
anti-fingerprint surface |
|---|--|

-  Oak veneer

Frame

-  Black
RAL 9005

Seat fabrics

- | | | | |
|--|---|---|--|
|  Graphite (Standard)
Select #60051 Gabriel |  Powder Blue
Select #67098 Gabriel |  Mustard
Select #62098 Gabriel |  Rose
Select #65117 Gabriel |
|  Dark Blue
Select #66144 Gabriel |  Beige
Select #61184 Gabriel |  Grape
Select #61190 Gabriel |  Green
Select #68209 Gabriel |

MATERIALS

Exterior

Powder coated deep-drawn steel panels

Interior panels

Replaceable interior panels made from PET sheets which are laminated with polyester fabric

Carpet

Anti-static and stain resistant low loop pile carpet for the floor

Tabletop

Formica laminate on birch plywood with varnish trim
White / Black (anti-fingerprint) / Oak veneer

Walls and roof

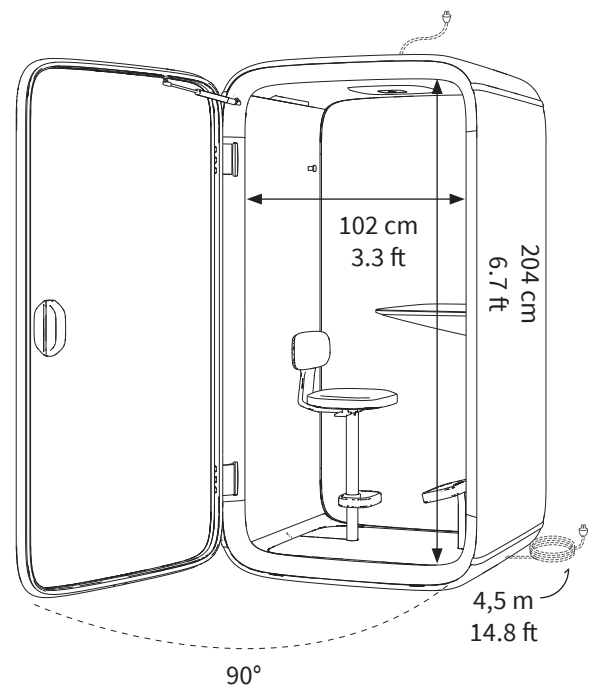
A sandwich element chassis, made of deep-drawn sheet metal & recycled acoustic foam.

Frames

Semi-gloss black frames made from steel & aluminum

Glass

Sound control laminated glass (4 + 4 mm)



Power cord can be led out of the bottom corner of the pod or from the roof.
The cord length outside the pods is 4,5 m / 14.8 ft

MEASUREMENTS

Exterior

223 cm × 122 cm × 100 cm (height, width, depth)
7.4 ft × 4 ft × 3.3 ft (height, width, depth)

Interior

204 cm × 102 cm × 93 cm (height, width, depth)
6.7 ft × 3.3 ft × 3 ft (height, width, depth)

Doorway

204 cm × 101,5 cm (height, width)
6.7 ft × 3.3 ft (height, width)

Table

76 cm × 45 cm (width, depth) / Adjustment height 70 cm - 120 cm
2.5 ft × 1.5 ft (width, depth) / Adjustment height 1.95 ft - 2.8 ft

Adjustable seat

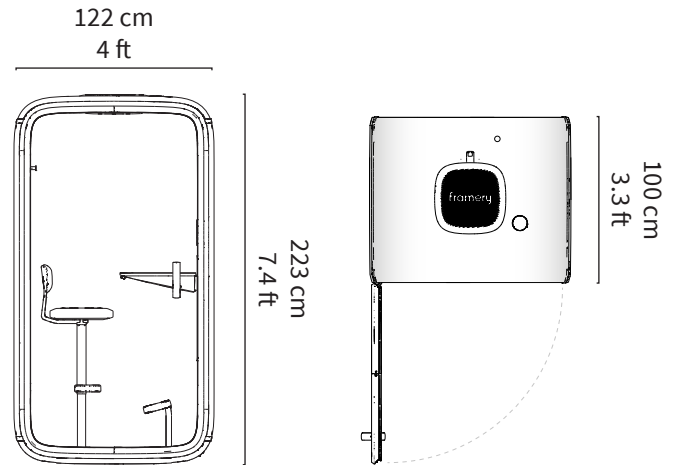
59 cm - 85 cm / 1.9 ft - 2.7 ft

Weight

357 kg / 787 lb

Ventilation space

(Minimum recommended space for air to circulate)
Above: 20 cm / 8 in



The door handedness can be changed on-demand with simple tools, by flipping the front frame in its place.

POWER

Power consumption

30 W while in use (Standard configuration)
- LED lights: 19 W
- Fans in total: 7 W
- Other components: 4 W
6 W in standby mode
Input: 100–240 VAC, 10.0 A, 50–60 Hz

Outlets

Power socket, USB-C
Optional: Wireless charger and LAN port

OTHER

Ventilation

Maximum airflow is 29 l/s, 61 CFM
On standby mode the fans are working on 25 % of the maximum power.

Acoustics

Speech level reduction ($D_{s,A}$) according to ISO 23351-1 testing method: >30 dB

Lighting

LED light: 4000 K and 500 lux

Optional movability kit

Includes castors that are installed to the bottom of a pod for moving it.

Output values

Output VAC (power socket): 100–240 VAC, 6,6 A, 50–60 Hz
Output USB C charger: 18 W
Output Qi wireless charger: 10 W

Radio networks

LTE-FDD: B1/B2/B3/B4/B5/B7/B8/B12/B13/B18/ B19/B20/B25/B26/B28
LTE-TDD: B38/B39/B40/B41
WCDMA: B1/B2/B4/B5/B6/B8/B19
GSM: B2/B3/B5/B8
BLE

Output powers

BLE 10 dBm, LTE 23 dBm, GSM 850/900 33 dBm,
GSM 1800/1900 30 dBm, WCDMA 24 dBm